



3695 44th Street SE - Grand Rapids, MI 49512 - (P) 616-971-3420 (F) 616-971-3421 www.mepcollc.com

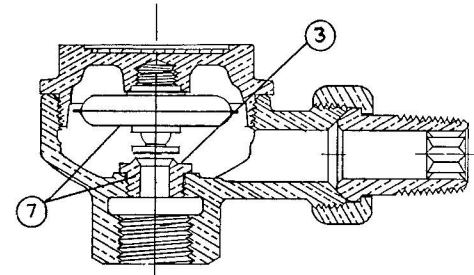
STEAM TRAP REPAIR PARTS MANUAL

REFER TO FORM 17501 FOR PRICES

INDEX	
	PAGE
Radiator Traps - Low Pressure (Recent Models)	2
Radiator Traps - Low Pressure (Older Models)	2
Float & Thermostatic Traps - Prior to 1929.	3
Repair Cartridge (CA-) Units & (MEP-) Assemblies	3
Float & Thermostatic Traps #'s 30, 31 series	4
Float & Thermostatic Traps #'s 40, 41 & 44 series.	5
Float & Thermostatic Traps - 48 & 46 series	6
Thermostatic Traps - High Pressure.	7
Bucket Traps -OB,OB-A, OBS,OBS-A & OBS-B	9
Float & Thermostatic Gaskets	10

RADIATOR TRAPS (LOW PRESSURE) RECENT MODELS

REF. NUMBER	ITEM	SIZE TAPPING TRAP NUMBER	PART NUMBERS				
			1/2"	3/4"	1"	3/4" x 1/2"	1/2"
1	Disc Only		1B, 1C, 1E*	2C, 2E*	3B, 3C	1E-VST	1E-VS
2	Cap & Disc Assembly		C5940 C5838	C5941** C5860	C5942** C5863	C5940 ML9916	C5940 C5838
3	Renewable Seat before 1990		C8146	C8147	C8148		
4	Union Nut, See Note A)		C347	C346	C745		
5	Union Nipple		C544	C1045	C1004		
6	Cap Gasket		S5537	C5994	C5994		
7	Seat & Disc after 1990 See Note B)		1ESS ML9684	2ESS ML9685	3CSS ML9686		



*Denotes present stock models **Also requires cap gasket

A) Traps with screw in seats made before 1990 have the letters "MR" stamped on the cap. Seats are either monel or stainless steel. Valve is made of brass.

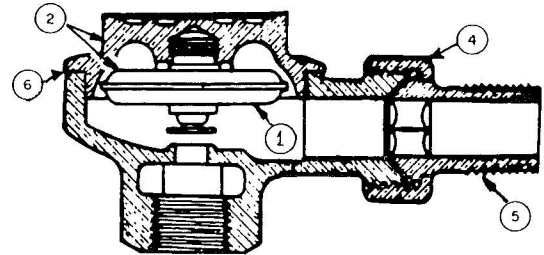
B) Traps with screw in seats after 1990 have the letters "SS" stamped on the cap, valve & seat are stainless steel.

C) 1E Traps with integral seats can be economically repaired by using MEPCO Repair Cartridge # MEP-1950, or cast brass cartridge CA1, see next page.

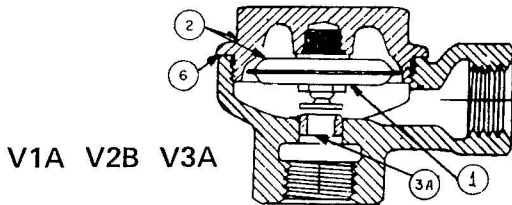
D) Repairs for 2E and 3C traps with integral seats require the cast brass cartridge unit or replacement with whole trap.

E) The following trap wrenches are available:

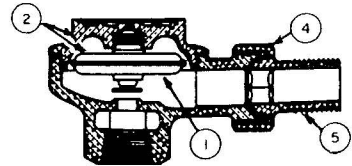
- Trap Cap Wrench - D295
- 1/2" Spud Wrench - C923
- 3/4" Spud Wrench - C922
- 1" Spud Wrench - C2134



RADIATOR TRAPS (LOW PRESSURE) OLDER MODELS



V1A V2B V3A



1A

REF. NO.	Size Tapping Trap Number ITEM	PART NUMBERS							
		1/2"	1/2"	3/4"	1/2"	1/2" - 3/4"	3/4"	3/4"	3/4"
		V1A V1B	#1 1A D1	V2B V2C	#2 V2 2A**	2B*** D2***	V3A V3B V3B	3A D3	#3 V3
1	Disc Only	C5940	X	C5941	X	X	C5942	X	X
2	Cap & Disc Assembly	C5838	C5838	C5860	C5819	C5860	C5863	C5863	C5819
3	Renewable Seat Screw-in Type	X	C8146*	X	C8147*	C8147	X	C8148	X
4	Union Nut	C347	C347	C346	C347	C346	C346	C346	C346
5	Union Nipple	C544	C544	C1045	C544	C1045	C1045	C1045	C1045
	Cap & Disc Repl.	1E	1E	2E	V2 V3	2E	3C	3C	V2 V3
6	Cap Gasket	S5537		C5994	C5996	C5994	C5994	C5994	C5996

*#1, #2 and V2 Traps - Renewable Screw-In Seats no longer available.

**#2A Trap - use Cap, Disc and Gasket, C5860.

***#2B and #D2 Traps were manufactured both with 1/2" and 3/4" tappings.

****Also order cap gasket

NOTES:

a. #1E AP Trap w/nipple 11/16" Longer than standard provides replacement for #2 AP Traps.

b. #2E AP w/nipple 11/16" longer than standard provides replacement for #3 AP Trap.

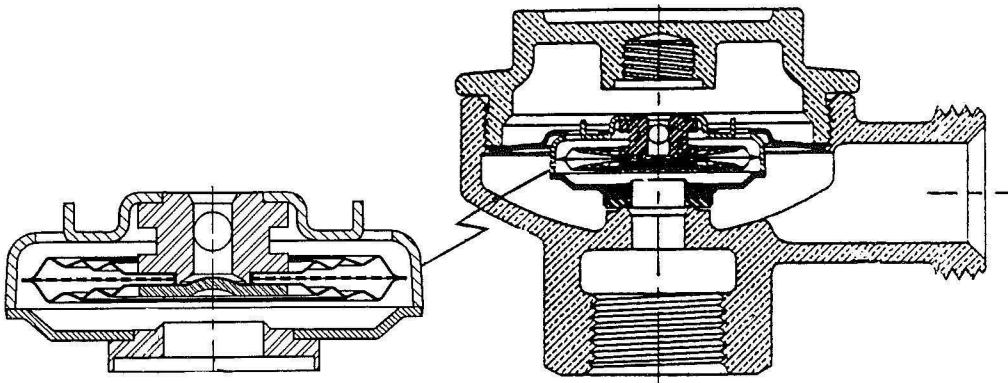
c. #1E Cap and Disc Assembly and Screw-In seat for "SB" Trap (Bellows Type) are furnished to convert them to present design #1E Trap.

d. Victory Line Traps were furnished with cast iron bodies and caps. V1A, V2B, and V3A Traps were furnished without nut and nipple. V1B, V2C and V3B were furnished with nut and nipple. V2 and V3 Traps were not. Victory Line Traps, only parts available are nuts and nipple, and seats.

No repairs for #4, #5, #4A and D4, and 5A and D5 Traps. Replace with 40-415 F & T Trap.

MEPCO STAINLESS STEEL CARTRIDGE REPAIR

(LOW PRESSURE THERMOSTATIC TRAP)



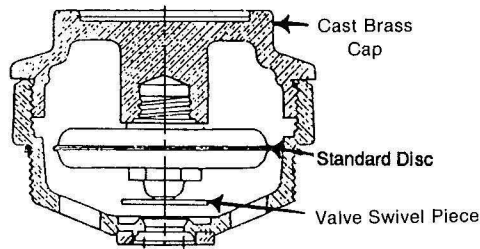
Trap Repair Model

MANUFACTURER	NUMBERS	SIZE	PART NUMBER
Dunham-Bush/MEPCO	1E, and all #1 traps	1/2"	MEP-1950
Dunham-Bush/MEPCO	2E traps	3/4"	MEP-1990

MEPCO CAST BRASS REPAIR CARTRIDGE UNIT

FOR 1E, 2E, 3C TRAPS WITH INTEGRAL SEAT

PART NO.	MODEL	SIZE
ML9606	CA-1	1/2"
ML9630	CA-2	3/4"
ML9631	CA-3	1"



Includes: Body Cartridge, cap, disc, and valve replacement assembly.

FLOAT AND THERMOSTATIC TRAPS AND FLOAT TRAPS

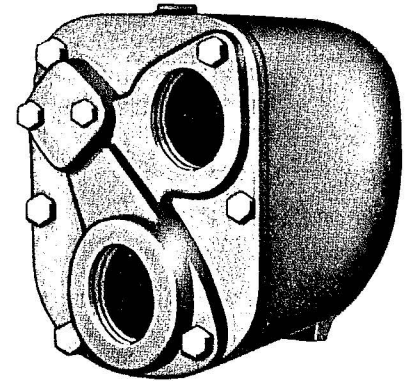
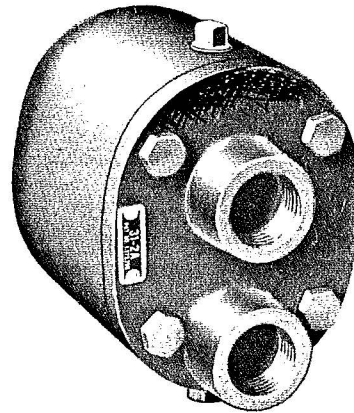
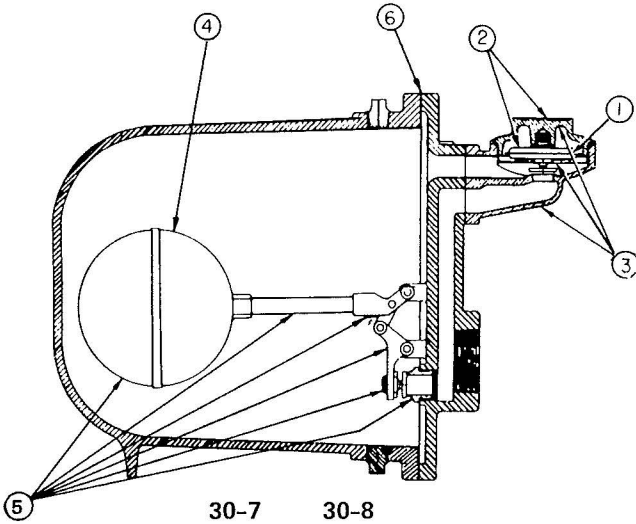
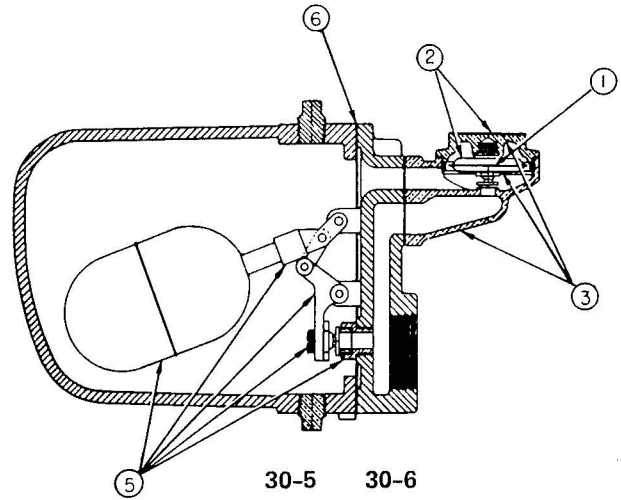
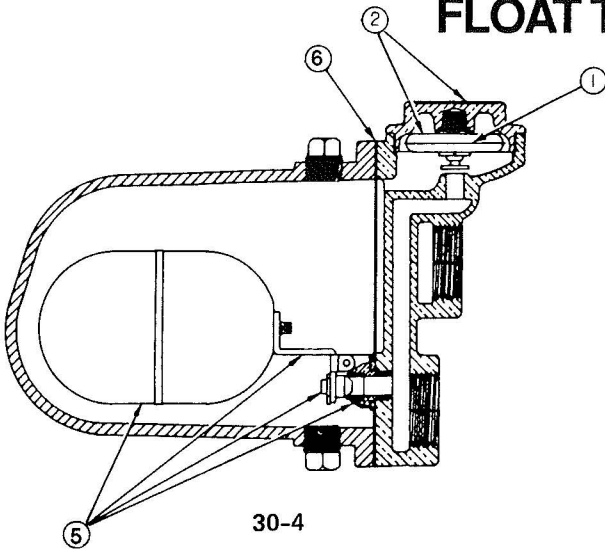
(INSTALLED PRIOR TO 1929)

REF. NO.	ITEM	PART NUMBER						PART NUMBER				
		3/4"	1"	1"	1 1/4"	1 1/2"	1 1/2"	1 1/2"	3/4"	1"	3/4"	1"
	Size Tapping											
	Trap Number	16	17-18	D16A	18E	19E	19	19C	22	23	22A	23A
		16A	17A	D16E	D18A	D19A	19A	D19			22B	23B
		16B	17B	17E		20	19B				22C	23C
		16C	17C	D17A		20A-20B					D22	D23
		D16	D17	18C		20C-20E					22E	D23A
			18A	D18		D20A					D22A	
			18B			D20E						
1	Cap and Disc Assembly	C5838	C5838	C5838	C5838	C5838	C5838	C5838	X	X	C5838	C5838
2	Cap Gasket	X	X	X	D263	D342	X	X	C2331	D333	C2331	D333
	Recommended Replacement	40-215A	40-415A		40-515A	40-715A		40-415A				

- a. Trap Nos. 18, 18A, 18B, 18C and D18 have 1 1/4" Tappings
- b. Trap No. 20 has 2" Tappings.

FLOAT & THERMOSTATIC TRAPS (#30 SERIES)

FLOAT TRAPS (#31 SERIES)



REF. NO.	SIZE TAPPING TRAP NUMBER ITEM	PART NUMBERS					
		1/2"	1/2"	3/4"	3/4"	3/4"	1"
		30-1	30-1A	30-2	30-2A	30-3	30-4
1	Thermo Disc Only	**	**	**	C5940	**	C5940
2	Cap and Disc Assembly ***	C5838	C5838	C5838	C5838	C5838	C5838
5	Internal Mechanism Complete - Float, Lever & Hinge, Valve & Clip, Seat*	ML7277	ML7277	ML7277	ML7278	ML7279	ML7279
6	Cap Gasket	C2331	C5698	C2331	C5698	C2331	C2331
REF. NO.	SIZE TAPPING TRAP NUMBER ITEM	PART NUMBERS					
		1 1/4"	1 1/2"	1 1/2"	1 1/2"	2"	2"
		30-5	30-6	30-7	30-7A	30-8	30-8A
1	Thermo Disc Only	C5940	**	C5942	C5940	C5942	C5942
2	Cap and Disc Assembly	C5838	C5838	C5863	C5838	C5863	C5863
3	Thermo Trap Complete w/Manifold Gasket	C5817 w/C3645	C5817 w/C3645	C5818 w/C3737	C5817 w/C3645	C5818 w/C3737	C5818 w/C3737
4	Float Ball only*	C8233	C8233	C259	C8233	C259	C259
5	Internal Mechanism Complete - Adj. Screw & Valve, Nut with Float, Float Arm, Seat & cap gasket.	ML7280	ML7280	ML7281	ML7282	ML7283	ML7283
6	Cap Gasket	D333	C2389	D263	D333	D342	D263

** Old style 1A Disc only - not available.

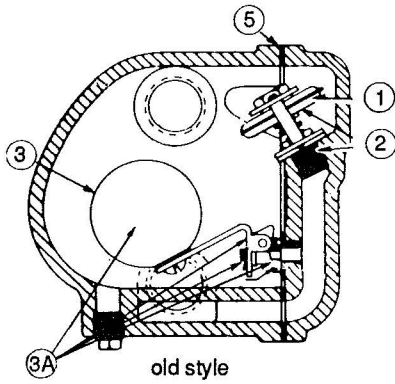
a) *V* Victory Line Traps require the same parts as the above models.

b) No. 31 Float Traps require same parts as above except that the Thermo Trap is omitted and is replaced with a Blind Flange.

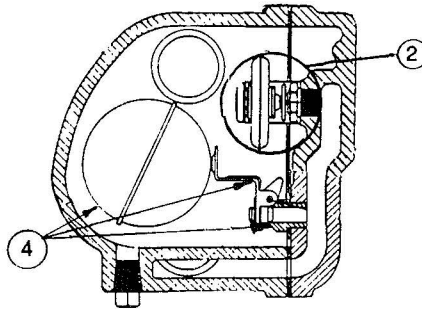
*** Thermostatic traps with worn or erroded seats can be repaired by using the CA-1 repair cartridge ML9609.

FLOAT & THERMOSTATIC TRAPS (#40 AND 44 SERIES)

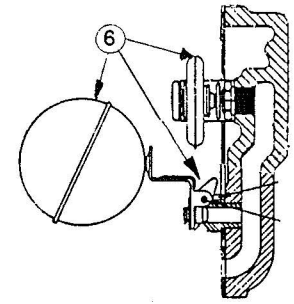
FLOAT TRAPS (41 & 45 series)



Nos. 40 Series Trap Construction



Nos. 40- A Series Trap Construction



Repair Part #6 Internal Mechanism Complete with Cap, for 40, 44, and 40- A series Traps

REFERENCE NUMBER AND ITEM								
TRAP MODEL	TRAP SIZE	1 THERMO Disc/Only	2 THERMO Complete*	3 FLOAT Only	3A FLOAT & Lever	4 INTERNAL Mech.Cmplt	5 CAP Gskt	6 Internal Mech Cmplt w/cap
40-215	3/4"	C5940	ML12879*	---		ML9897	D5442	ML9632
40-215A	3/4"	C5940	ML5953	---		ML9897	D5442	ML9632
40-415	1"	C5940	ML12879*	N/A		ML9897	D5442	ML9696
40-415A	1"	C5940	ML5953	---		ML9897	D5442	ML9696
40-515	1-1/4"	C5940	ML12879*	N/A		ML9898	D5449	ML9634
40-515A	1-1/4"	C5940	ML5953	---		ML9898	D5449	ML9634
40-715	1-1/2"	C5940	ML12879*	N/A		ML9900	D5449	ML9635
40-715A	1-1/2"	C5940	ML5953	---		ML9900	D5449	ML9635
40-230	3/4"	C5940	ML12879*	N/A		ML9896	D5442	ML9693
40-230A	3/4"	C5940	ML5953	---		ML9896	D5442	ML9693
40-430	1"	C5940	ML12879*	N/A		ML9896	D5442	ML9699
40-430A	1"	C5940	ML5953	---		ML9896	D5442	ML9699
40-530	1-1/4"	C5940	ML12879*	N/A		ML9903	D5449	ML9633
40-530A	1-1/4"	C5940	ML5953	---		ML9903	D5449	ML9633
40-730	1-1/2"	C5940	ML12879*	N/A		ML9934	D5449	ML9931
40-730A	1-1/2"	C5940	ML5953	---		ML9934	D5449	ML9931
40-275	3/4"	C6888	ML5954	N/A		ML9899	D5442	ML9636
40-275A	3/4"	C6888	ML5954	---		ML9899	D5442	ML9636
40-475	1"	C6888	ML5954	N/A		ML9899	D5442	ML9697
40-475A	1"	C6888	ML5954	---		ML9899	D5442	ML9697
40-575	1-1/4"	C6888	ML5954	N/A		ML9895	D5449	ML9638
40-575A	1-1/4"	C6888	ML5954	---		ML9895	D5449	ML9638
40-775	1-1/2"	C6888	ML5954	N/A		ML9935	D5449	ML9932
40-775A	1-1/2"	C6888	ML5954	---		ML9935	D5449	ML9932
40-2125	3/4"	C6888	ML5954	N/A		ML9901	D5442	ML9637
40-2125A	3/4"	C6888	ML5954	---		ML9901	D5442	ML9637
40-4125	1"	C6888	ML5954	N/A		ML9901	D5442	ML9698
40-4125A	1"	C6888	ML5954	---		ML9901	D5442	ML9637
40-5125	1-1/4"	C6888	ML5954	N/A		ML9902	D5449	ML9700
40-5125A	1-1/4"	C6888	ML5954	---		ML9902	D5449	ML9700
40-7125	1-1/2"	C6888	ML5954	N/A		ML9936	D5449	ML9933
40-7125A	1-1/2"	C6888	ML5954	---		ML9936	D5449	ML9933

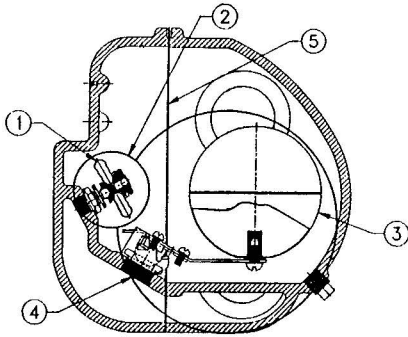
Replace with #4 Internal Mechanism Complete

NOTES: 1) All No. 41 & 45 series traps require same parts as above except that the Thermo cage assembly is omitted and is replaced with C10039 plug.

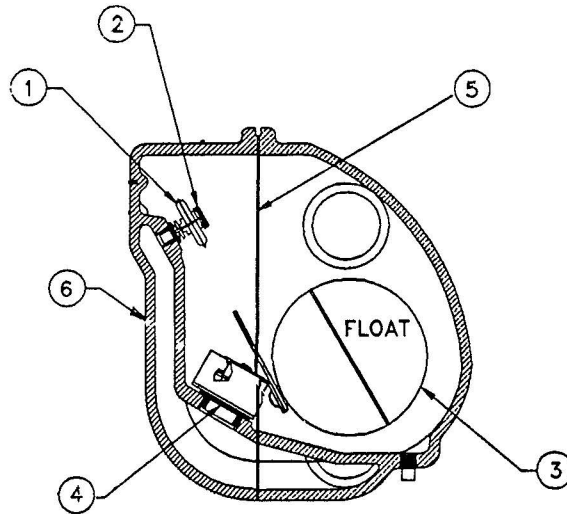
2) All No. 44 series float traps require same parts as the 40 series except for the body. *ML12879 has old style brass cage.

* 3) Gasket is not included in item 2 repair and has old style brass cage

FLOAT & THERMOSTATIC TRAPS (#46 SERIES AND #48 SERIES)



MODEL 46 SERIES = 24 LBS.



MODEL 48 SERIES = 48 LBS.

REFERENCE NUMBER AND ITEM

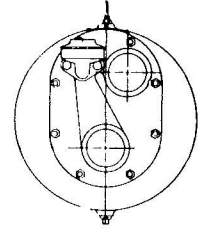
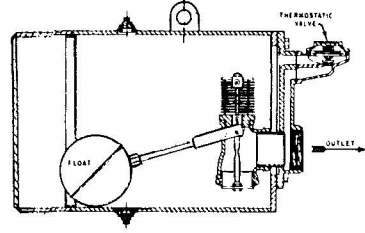
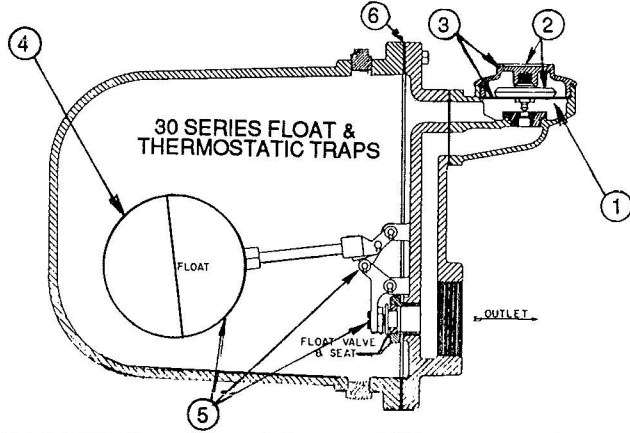
TRAP MODEL	TRAP SIZE	1 THERMO Disc/Only	2* THERMO Complete	3 FLOAT Only	4* INTERNAL Mech.Cmplt.	5 GASKET	6* TRAP Less Body	Complete TRAP
46-715	1-1/2"	C5940	ML5953	S-5286	ML12623	100421	ML12611	ML12607
46-815	2"	C5940	ML5953	S-5286	ML12623	100421	ML12613	ML12608
46-730	1-1/2"	C5940	ML5953	S-5286	ML12624	100421	ML12612	ML12609
46-830	2"	C5940	ML5953	S-5286	ML12624	100421	ML12614	ML12610
46-775	1-1/2"	C6888	ML5954	S-5286	ML12625	100421	ML12619	ML12615
46-875	2"	C6888	ML5954	S-5286	ML12625	100421	ML12620	ML12616
46-7125	1-1/2"	C6888	ML5954	S-5286	ML12626	100421	ML12621	ML12617
46-8125	2"	C6888	ML5954	S-5286	ML12626	100421	ML12622	ML12618
TRAP MODEL	TRAP SIZE	1 THERMO Disc/Only	2* THERMO Complete	3 FLOAT Only	4* INTERNAL Mech.Cmplt.	5 GASKET	6* TRAP Less Body	Complete TRAP
48-715	1-1/2"	C5940	ML5953	6103745	ML10079	A2-8892	ML10239	ML10071
48-815	2"	C5940	ML5953	6103745	ML10079	A2-8892	ML10240	ML10072
48-730	1-1/2"	C5940	ML5953	6103745	ML10080	A2-8892	ML10241	ML10073
48-830	2"	C5940	ML5953	6103745	ML10080	A2-8892	ML10242	ML10074
48-775	1-1/2"	C6888	ML5954	6103745	ML10081	A2-8892	ML10243	ML10075
48-875	2"	C6888	ML5954	6103745	ML10081	A2-8892	ML10244	ML10076
48-7125	1-1/2"	C6888	ML5954	6103745	ML10082	A2-8892	ML10245	ML10077
48-8125	2"	C6888	ML5954	6103745	ML10082	A2-8892	ML10246	ML10078

(2*) Thermo trap complete includes a seat, thermal disc w/valve, cage and nut.

(6*) Trap less body has all interior parts mounted & cap gasket.

(4*) Internal mechanism complete includes; a seat, valve, bracket, lever, floatball, screw and cap gasket.

FLOAT & THERMOSTATIC TRAPS HIGH CAPACITY - HIGH PRESSURE



TRAP NOs. SA30-930A, SA30-9125

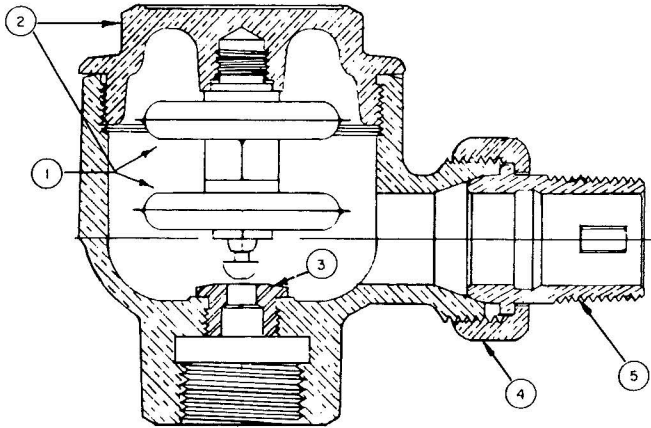
REF NO.	SIZE TAPPING TRAP NUMBER	PART NUMBERS									
		1½"	2"	2"	2"	2"	2"	2"	2½"	2½"	2-1/2"
		30-7AS	30-8AS	SA30-815 SA30-8	SA31-815 SA30-830	SS30-8	SC30-8	S30-8	SA30-930	SA30-930A SA30-915A	SA30-9125A
1	Thermo Disc Only	C6888	C6888	C5942	C6888	C5942	C5942	C5942	C5942	C5942	C6888
2	Cap and Disc Assembly	X	X	C5863	X	C5863	C5863	C5863	C5863	C5863	X
3	Thermo Trap Complete w/Manifold Gasket	B2-869 w/C3737	B2-869 w/C3737	C5818 w/C3737	B2-869 w/C3737	C5818 w/C3737	C5818 w/C3737	C5818 w/C3737	C5818 w/C3737	C5818 w/C3737	B2-869 w/C3737
4	Float Ball Only or Float Ball & Rod	C259	C259	90592	90592	C259	C259	C259	90593	90594	90593
5	Internal Mechanism Complete - Adj. Scr Valve, nut with Float, Float Arm(Rod) and seat and cap gasket.	ML7284	ML7285	ML7286	ML7287	N/A**	N/A**	ML7283	N/A***	ML9615	ML9664
6	Cap Gasket	B2-907	B2-907	B2-1067	B2-1067	D342	D342	D342	D263	D263	B2-907

a. 31-7AS and 31-8AS Traps require same parts as above except that the Thermo Trap is omitted and is replaced with A2-1750 Blind Flange.

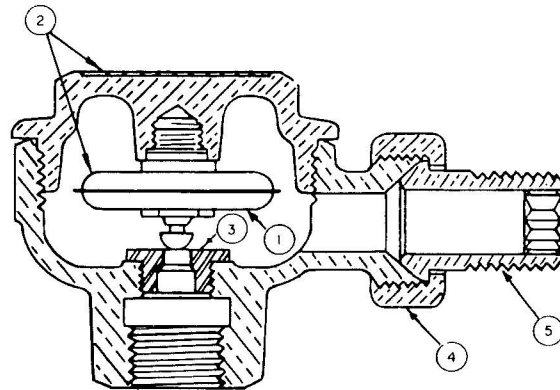
** If Internal Mechanism Parts are required replace Trap with SA30-815.

*** If Internal Mechanism Parts are required consult factory.

THERMOSTATIC TRAPS (HIGH PRESSURE)



TH-2A TH-3A



TH-1A

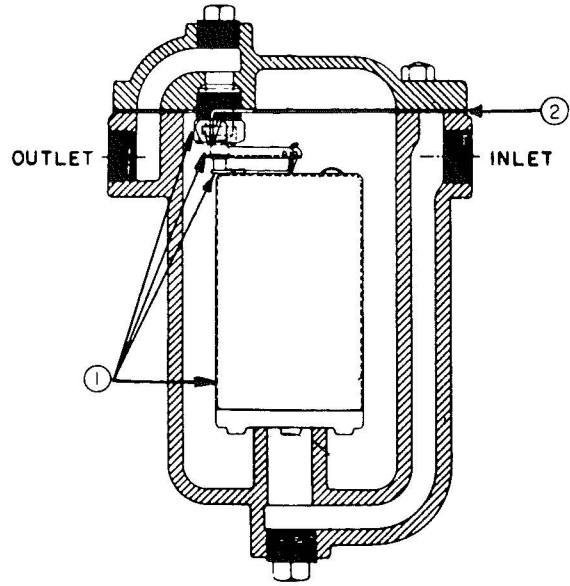
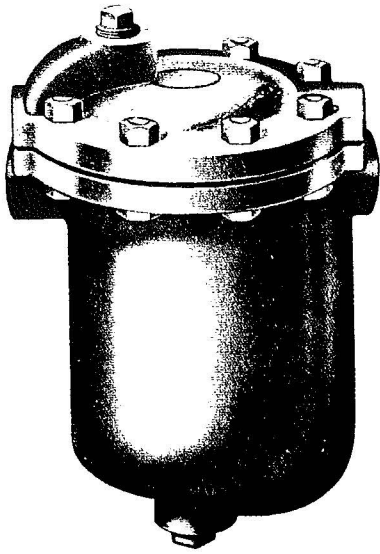
REF. NO.	SIZE TAPPING TRAP NUMBER ITEM	PART NUMBERS		
		1/2"	3/4"	1"
1	Disc Only	C6888	C6935	C5925
2	Cap and Disc Assembly	ML7295	ML7296	ML7297
3	Seat Only (Screw In)	C5915	C5915	C5923
4	Union Nut	C347	C346	C745
5	Union Nipple	C544	C1045	C1004

a. TH-2A and TH-3A Traps are furnished with compound Discs.
b. No repairs available for the following Traps: TH-1, 13B, 14B, 15B. Replace with: TH-1A, TH-1A, TH-2A, TH-3A.

NOTES

BUCKET TRAPS

OBS-A, OB-A



NOTE: EITHER SEAT SYMBOLS OR MAX. DIFF. PRESSURE MUST BE SHOWN ON REPAIR ORDERS

REF. NO.	SIZE TAPPING TRAP NUMBER ITEM	PART NUMBERS		
		1/2"	3/4"	1/2 & 3/4"
		OBS OBS-A	OBS OBS-A	OBS-B*
1	Internal Mechanism Complete - Bucket, Seat, and Valve**	ML5955	ML5956	ML9317
2	Cap Gasket	C6917	C6917	C6917

REF. NO.	SIZE TAPPING TRAP NUMBER ITEM	PART NUMBERS							
		1/2"	1/2"	3/4"	3/4"	1"	1"	1 1/4"	1 1/4"
		OB	OB-A	OB	OB-A	OB	OB-A	OB	OB-A
1	Internal Mech. Complete - Bucket, Seat, and Valve**	ML5957	ML5957	ML5958	ML5958	ML5959	ML5959	ML5960	ML5960
2	Cap Gasket	C6944	C6944	C6945	C6945	C6946	C6946	C6947	C6947

* Present Model.

** When ordering Internal Mechanism Complete, order one Cap Gasket.

Repairs for No. 81 and 81A are not available.
Replace with OBS-B

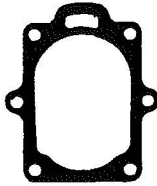
REPAIR PARTS - F & T GASKETS

30 AND 40 SERIES

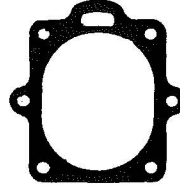
Scale .17:1



C5698
For 30-1A & 30-2A



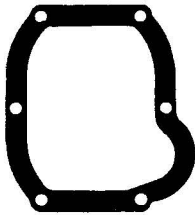
D5442
For 40-215, 40-415
Any & all 40 Series
3/4" or 1"



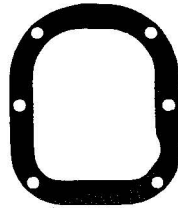
D5449
For 40-515 & 40-715
Any & all 40 Series
1-1/4" or 1-1/2"



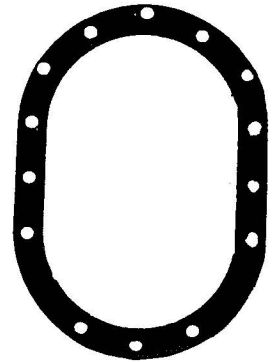
C2331
For 30-1, 30-2,
30-3 & 30-4



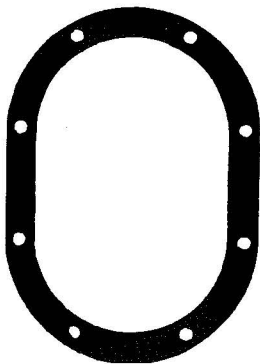
C2389
For 30-6



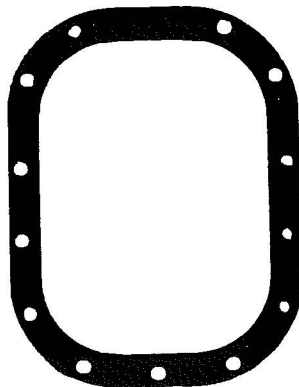
D333
For 30-5 & 30-7A



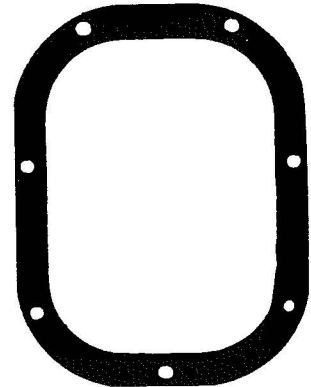
B2-907
For 30-7AS & 30-8AS



D263
For 30-7 & 30-8A



B2-1067
For SA30-8, SA30-815, SA30-830



D342
For 30-8, SS30-8,
SC30-8 & S30-8



3695 44th Street SE - Grand Rapids, MI 49512 - (P) 616-971-3420 (F) 616-971-3421 www.mepcollc.com